



Turnichetul.ro



IP-Stile

KT-02.3

USER GUIDE

CE EAC



IP-Style

KT-02.3

User Guide

CONTENTS

1	Application.....	3
2	Design.....	3
2.1	Indication module.....	5
2.2	RC-panel.....	5
3	Safety measures.....	6
4	Power-up.....	6
5	Operation by RC-panel.....	7
6	Operation as a part of an ACS.....	9
7	ACM, controller events and states indication.....	10
8	Emergency actions.....	11
8.1	Emergency exit by use of anti-panic barrier arms.....	11
8.2	Mechanical unlocking.....	11
8.3	IP-Stile automatic unlocking.....	11

Dear Customer!

*Thank you for purchasing PERCo IP-Stile.
Please follow instructions given in this Manual carefully,
and this quality product will provide many years of trouble-free use.*

This Manual contains information that is necessary for comprehensive use of capabilities of the **KT-02.3 IP-Stile**.

Abbreviations adopted in the Manual:

RC-panel – remote control panel;
PC – personal computer;
ACM – access control mode;
ACS – access control system;
OD – operating device.

1 APPLICATION

KT-02.3 IP-Stile (hereinafter – IP-Stile) is designed for control of access to a facility by means of proximity cards. Access control through IP-Stile is performed by the operator with the RC-panel, which is included in the standard delivery set or, after additional setting, using **PERCo-Web** software, with the proximity cards.

IP-Stile can operate either as a standalone unit, without permanent connection to the local network or a PC, or as a part of **PERCo-Web** security system. All the registered events are logged in the nonvolatile memory of the IP-Stile controller. As a part of **PERCo-Web** ACS supports all the performance capabilities of the system.

2 DESIGN

IP-Stile consists of a turnstile housing with built-in controller, two proximity-card readers with indication modules, three barrier arms, RC-panel (ref. Figure 1, parts 1-3, 5, 8 and 9) and software to work as a part of **PERCo-Web** ACS. After each passage through IP-Stile the barrier arms are automatically reset in the home position.

For visual informing on current IP-Stile status both housing end faces are equipped with indication modules (8). An access card reader is built-in inside the housing under each indication module.

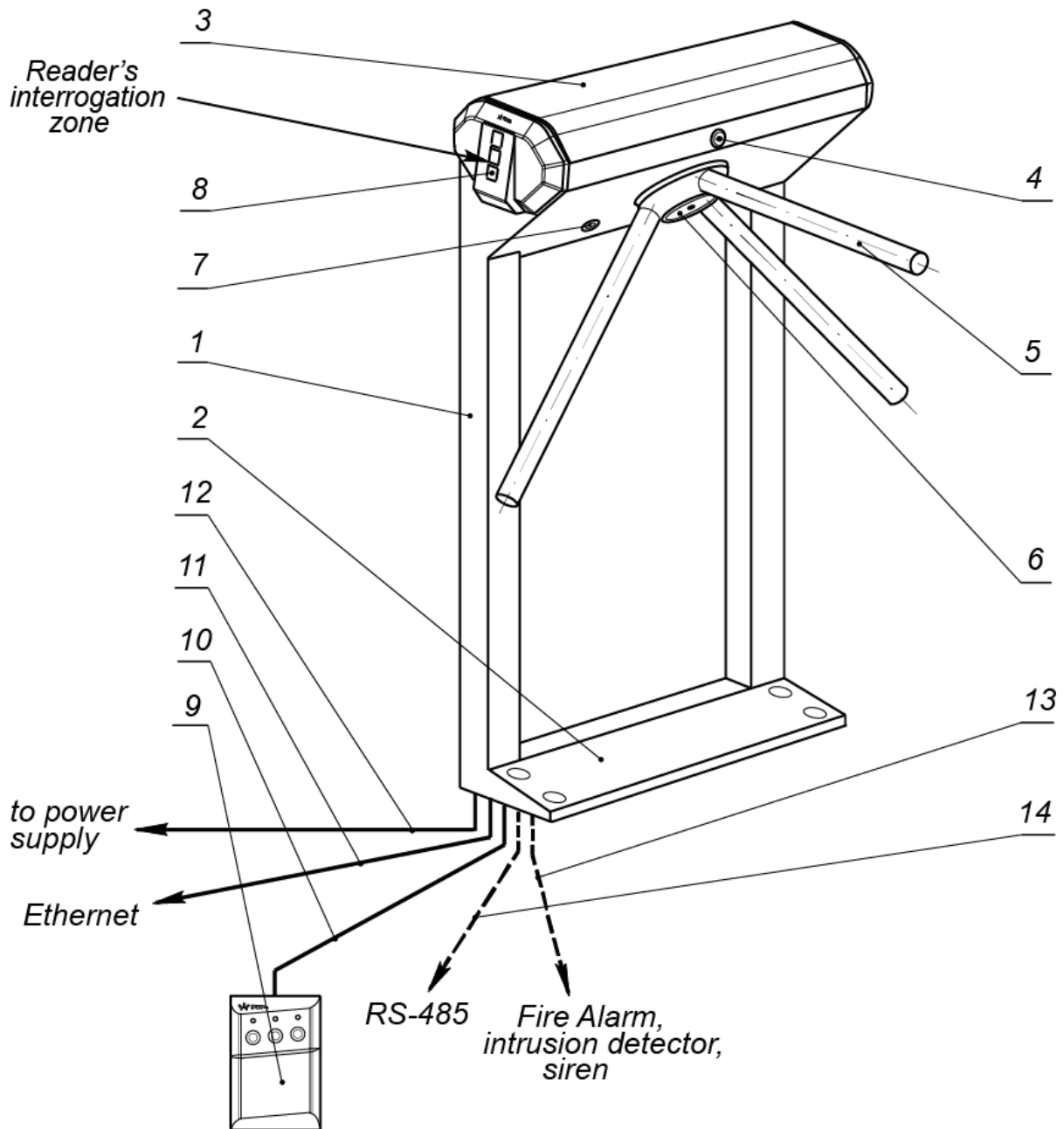


Figure 1. IP-Style design:

Standard delivery set:

- 1 – frame; 2 – base; 3 – top cover; (*items 1-3 form turnstile housing*);
- 4 – top cover lock; 5 – barrier arm; 6 – cap to cover barrier arms adjusting points;
- 7 – mechanical release lock; 8 – indication module; 9 – RC-panel; 10 – RC-panel cable

Not included in standard delivery set:

- 11 – LAN connection cable; 12 – power cable;
- 13 – cable to devices emergency unblocking (*Fire Alarm*), intrusion detector and siren;
- 14 – Data cable to additional devices via RS-485

2.1 Indication module

To inform on a current status of the turnstile both end faces of the housing feature indication modules (ref. Figure 1, parts 8), with card readers built-in under, on the internal side of the indication modules. The indication module has 3 mnemonic indicators (ref. Figure 2):

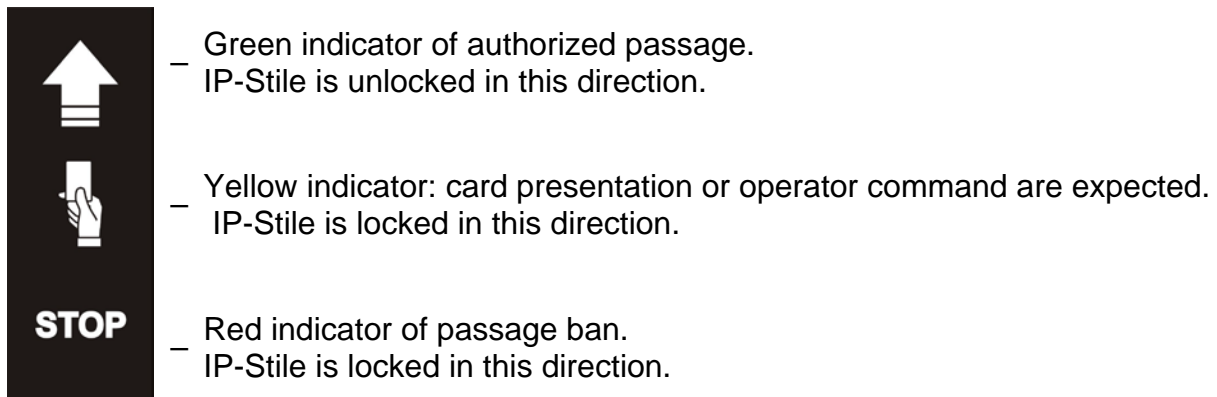


Figure 2. Visual indicators of the indication module

2.2 RC-panel

The RC-panel is designed as a small desktop device with a shock-proof ABS plastic case and is intended for setting and indicating operating modes when the turnstile is operated manually. The RC-panel overall view is shown in Figure 3.

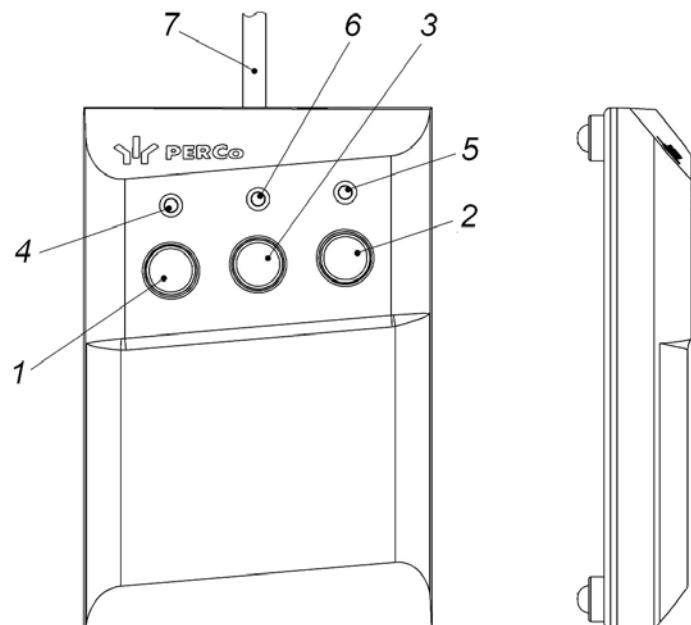


Figure 3. RC panel overall view

- 1, 2, 3 – buttons **LEFT**, **RIGHT**, **STOP** for setting the passage mode;
4, 5 – green indicators «Left», «Right»; 6 – red indicator «Stop», 7 – RC cable.

There are three control buttons on the RC front panel intended for setting the turnstile operating modes. The LED indicators are located above the buttons. The middle button on the RC-panel (hereinafter — the **STOP** button) is intended to set the turnstile to the “Always locked” mode. The left (**LEFT**) and the right (**RIGHT**) buttons are intended to unlock the turnstile for passage in the chosen direction.

3 SAFETY MEASURES

The IP-Stile is to be operated with observance of safety requirements mentioned in Section 7.2 of its Assembly & Operation Manual.



Warning!

- Do not use the IP-Stile under conditions that do not comply with the requirements of the operation documentation.
- Do not use the IP-Stile at supply voltage that does not comply with the technical characteristics of the equipment.
- Do not move through the IP-Stile passage area any objects with dimensions exceeding the width of the passageway.
- Do not jerk and hit any elements of the IP-Stile so as to prevent their mechanical deformation.
- Do not dismantle or adjust mechanisms ensuring operation of the IP-Stile.
- Do not use substances that may cause mechanical damage or corrosion of the surfaces for cleaning the IP-Stile.

4 POWER-UP

At IP-Stile power-up follow this sequence of actions:

1. Make sure all connections are correct.
2. Make sure the barrier arms are in the home position (the passageway is blocked with a barrier arm).
3. Make sure the mechanical release lock is closed.
4. Connect the power supply to the mains with electric parameters as per its documentation.
5. Turn the power on.



Attention!

When the controller configuration is changed with the jumpers, the controller internal memory is automatically formatted. This procedure lasts for about 2 minutes. After that the IP-Stile configuration should be transmitted to the controller by the Soft or Web-interface.

6. At the first powering the «Control» ACM is set for both directions. Yellow indicators (middle ones) of the indication modules are on and the red “Stop” indicator above the middle button on the RC-panel is on. Both passage directions are blocked.
7. If the formatting has not been performed, the ACM and the indication, set for each passage direction before power failure, is saved.
8. The IP-Stile is ready for operation right after the power-up. The operator can send command for locking / unlocking of both passages from the RC-panel. In order to arrange passage with proximity cards the additional configuration is to be used.

5 OPERATION BY RC-PANEL



Attention!

Set the “Control” ACM to operate the IP-Stile from the RC-panel or the WRC.

The passage directions are independent of each other, i.e. setting an operating mode in one direction will not change an already set operating mode to another.

Setting of the operating modes by the remote control panel/wireless remote control and the corresponding indication is given in Table 1. Please kindly note that:

- At first powering the «Control» ACM is set for both directions. Both passage directions are blocked
- For «*Single passage in the set direction*» mode. IP-Stile locks automatically after passage completion in the set direction or in case the passage has not been completed within the **Holding in unlocked state** timing. The initial setting of this timing is 4 seconds and it does not depend on the control impulse length. The time of holding in unlocked state is counted from the moment when the command from the RC panel or the wireless remote control is received.
- The «*Single passage in the set direction*» mode can be changed to the «*Free passage in the set direction*» or «*Always locked*» mode.
- The «*Free passage in the set direction*» can be changed only to «*Always locked*» mode.
- For «*Bidirectional single passage*». After the passage completion in one direction the **Holding in unlocked state** timing countdown for another direction begins.

Table 1. IP-Stile operating modes

No	Operating mode	Actions by the operator	RC indication	Turnstile indication	IP-Stile status
1	« Always locked » (IP-Stile is closed for both entrance and exit)	Press the Stop button shortly	The red indicator is on	The amber indicators for both directions are on	The barrier arms are locked in the home position. The passageway is blocked by the barrier arm.
2	« Single passage in the set direction » (IP-Stile is open for a single passage by one person in the set direction and closed for passage in another direction)	Press shortly the Go button responsible for the authorized direction	The green indicator above the Go button responsible for the authorized direction is on	The green indicator for the authorized direction and the amber indicator for another direction are on	The barrier arms are unlocked for a single turn in the authorized direction. After the turn the arms are locked.
3	« Bidirectional single passage » (IP-Stile is open for a single passage in each direction)	Press both Go buttons together shortly	Both green indicators are on	The green indicators for both directions are on	The barrier arms are unlocked for consecutive single turns in each authorized direction. After each turn the arms are locked in the corresponding direction.

№	Operating mode	Actions by the operator	RC indication	Turnstile indication	IP-Stile status
4	<p>«Free passage in the set direction» (IP-Stile is open for free passage in the authorized direction and closed in another)</p>	<p>Press shortly the Stop button together with the Go button responsible for the authorized direction</p>	<p>The green indicator above the Go button responsible for the authorized direction is on</p>	<p>The green indicator for the authorized direction and the amber indicator for another direction are on</p>	<p>The barrier arms are unlocked indefinitely for multiple turns in the authorized direction</p>
5	<p>«Free passage in the set direction and a single passage in the opposite direction» (IP-Stile is open for free passage in the authorized direction and a single passage in another)</p>	<p>Press shortly the Stop button together with the Go button responsible for the free passage direction; then press the other Go button shortly</p>	<p>Both green indicators are on</p>		<p>The barrier arms are unlocked indefinitely for multiple turns in the free passage direction and a single turn in the single passage direction</p>
6	<p>«Free passage in both directions» (IP-Stile is open for free passage in both directions)</p>	<p>Press shortly the three buttons together</p>	<p>Both green indicators are on</p>	<p>The green indicators for both directions are on</p>	<p>The barrier arms are unlocked indefinitely for multiple turns in both directions</p>

6 OPERATION AS A PART OF AN ACS

ACM change is performed at the command from the PC or Web-interface independently for each passage direction. The controller, as an element of the ACS, provides ACM through the OD:

ACM «*Open*» – free passage mode.

- OD is unlocked until the ACM change.
- Pressing the RC-panel buttons and wireless remote control button («*Exit*») is ignored.

ACM «*Control*» – main operation mode as a part of ACS.

- OD is locked.
- If the presented card matches the criteria of access granting, the OD is unlocked for **Holding in unlocked state time**.

ACM «*Closed*» – locked mode.

- OD is locked until the ACM change.
- RC-panel and remote control commands («*Exit*») are ignored.
- Any card presentation is registered as the access violation.

ACM «*Security*»¹.

- OD is locked until the ACM change.
- RC-panel and remote control commands («*Exit*») are ignored.
- Arming mode, including the OD.
- Passage through the OD (forced entry) turns the protected zone into «*Alarm*» mode.

¹ ACM «*Security*» is available for **CL-201** second level controllers.

7 ACM, CONTROLLER EVENTS AND STATES INDICATION

IP-Style controller indication is displayed on the indication blocks.



Note:

- When reading the proximity card identifier in any ACM, the audio signal of 0.5 sec. is sent, the yellow light indicator changes its status for 0.5 sec. Other identifiers don't change their status.
- If the access with the proximity card is granted, the light indication is turned to **Holding in unlocked state time**, or until the moment of the next passage. If the access is banned, the indication is turned on for 2 seconds.

Possible indication variants are stated in Table. 2.

Table 2. Controller indication

Card presentation		ACM	Indicators			
			Green	Yellow	Red	Sound (sec.)
No configuration		No	2 Hz	2 Hz	2 Hz	off
No		«Open»	on	off	off	off
		«Control»	off	on	off	off
		«Security»	off	1 Hz	1Hz	off
		«Closed»	off	off	on	off
Access denied		«Open»	on	off	off	0,5
		«Control»	off	off	on	1
		«Security»				
Any card		«Closed»				
Access granted		«Open»	on	off	off	0,5
		«Control»				
		«Security»	off	off	on	1
Access granted, arming/ disarming authorization		«Open»	on	off	off	0,5
		«Control»				
		«Security» ²				
Repeated card presentation with arming/disarming authorization	Arming (turn to «Security» ACM)	«Security»	off	1 Hz	1Hz	0,5
	Non-arming ³ (up to the return to initial ACM)	«Open»	off	off	1sec	1
		«Control»				
Waiting for verification/ double-check access		Any	off	2Hz	off	0,5

² Presenting the card with disarming authorization in the «Security» ACM, the following operations happen: protected zone disarming and OD unlocking for the **Holding in unlocked state time**. After this period of time OD turns to the ACM, set before the protected zone arming («Open» or «Control»).

³ Light and audio indication turns on for 1 sec.

8 EMERGENCY ACTIONS



Attention!

For a fast safe escape from facilities in case of fire, natural disaster or other emergencies, an emergency exit is often required. **BH-02** railings with «Anti-panic» hinged section can serve as such an exit.

8.1 Emergency exit by use of anti-panic barrier arms

An additional emergency exit can be arranged by means of anti-panic barrier arms. The design of the barrier arms enables arranging of a free escape passage without any special means or tools.

To make the passageway free, just pull the horizontal barrier arm along its axis outwards the hub until released, then fold the arm down (ref. Figure 4).

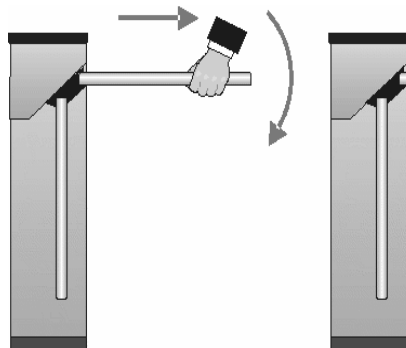


Figure 4. Anti-panic barrier arms operation

8.2 Mechanical unlocking

The mechanical unlocking feature is designed for unlocking the barrier arms in case of emergency, e.g. if the power supply is down.

Proceed as follows to mechanically unlock IP-Stile:

- insert the key into the mechanical release lock (part 7 in Figure 1);
- turn the key clockwise until it stops (open the lock, the lock internal mechanism moving out);
- make sure IP-Stile is unlocked by manually rotating the barrier arms a few turns in each direction.

To lock IP-Stile mechanically:

- set the barrier arms in the home position;
- press the internal lock mechanism recessing it into the housing until it clicks;
- make sure IP-Stile is locked and the barrier arms cannot be rotated in either direction.

8.3 IP-Stile automatic unlocking

Operating as a part of **PERCo-Web**, in case the fire breaks out or in any other emergency situation, the IP-Stile can be turned to *Fire Alarm* mode by the emergency unlocking device. In this mode the IP-Stile unlocks for passage in both directions. Other commands at this mode are ignored.

