

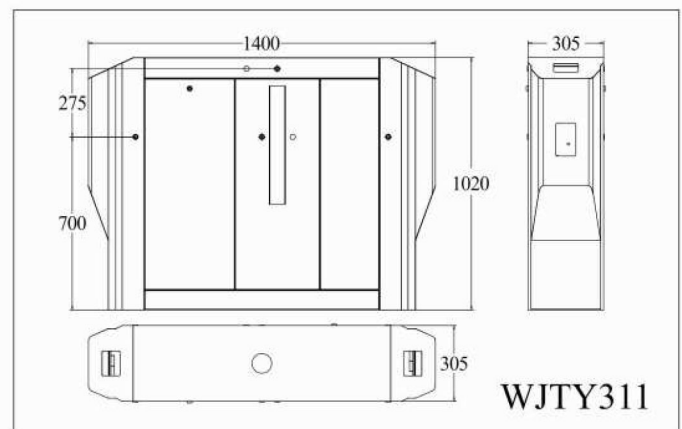
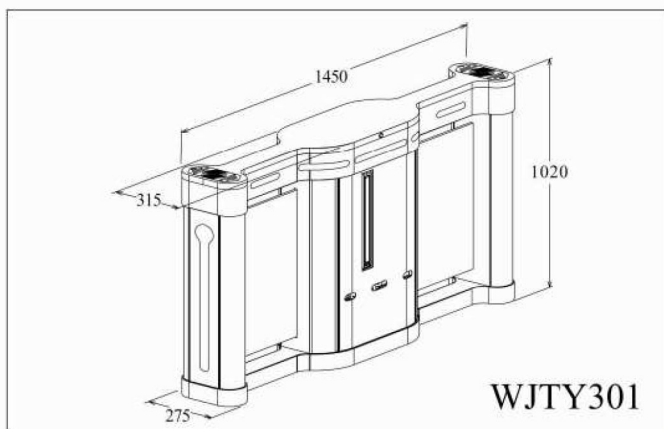
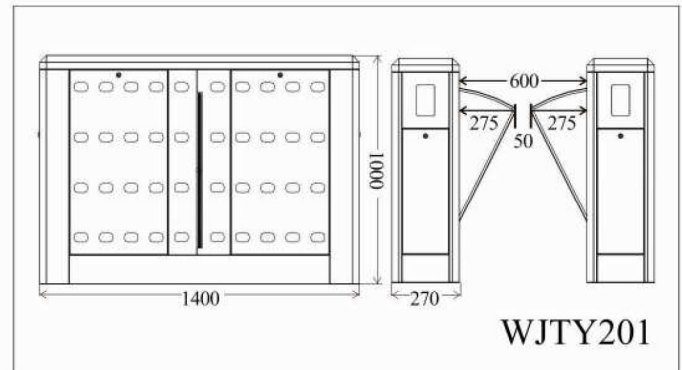
Speed gate turnstiles

WJ-China WJTY201, WJTY301 and WJTY311

www.turnichetul.ro
office@turnichetul.ro
0766 101 101

Functions & Features

1. A compact electro-mechanical design with unique drive and a self-lock mechanism
2. Automatic detection for malfunctions
3. Input interface available for dry contact and switch signal connection
4. Adjustable auto-delay closing
5. Infrared photocells for safety access
6. Alarm for unauthorized access and no access against passenger flow
7. Anti-reverse passing
8. Auto-closing when power on
9. Auto-open and free access when power off
10. Adjustable access directions
11. Emergency interface available
12. Traffic light indicating passenger access



Technical Data

Item	Model	WJTY201	WJTY301	WJTY311
Material of Housing		304 Stainless Steel		
Material of Flap Door		Organic Glass, Resin, or PVC		
Thickness of Housing		1.50mm		
Dimension of Housing (L×W×H mm)		1200x270x1000	1450x315x1020	1400x305x1020
Net Weight		70kg	140kg	85kg
Max Width of Passage		600mm	900mm	900mm
Power Supply		220V±10%, 110V±10%		
Frequency		50/60HZ		
Working Voltage of Motor		DC24V		
Input Interface		Dry contact signal or +12V level signal or pulse signal with width more than 100ms DC12V		
Normal Life-span		3 million times		
Communication Interface		Standard RS485 (distance less than 1200 meters)		
Time for opening or closing		1 second		
Starting time after power on		3 seconds		
Automatic reset time after fault		10 seconds		
Transit Speed		30~40 persons/min		
Working Environment		Indoor / Outdoor (Shelter)		
Working Temperature		-10°C~50°C		
Relative Humidity		≤90%, no condensation		